

130-0110 Single Release Door Hold-Open



DESIGNED FOR:

- Light to medium duty agricultural, construction or other equipment personnel doors that need to be held in an open position
- The 130-0110 fixed receiver is designed for use with TriMark's 130-0100-01-XX Striker Assembly. This component provides for a lower cost solution for light to medium duty agricultural, construction or other equipment personnel doors that need to be held in an open position and where release from inside the vehicle is not a requirement

FEATURES/BENEFITS:

- New shroud design provides a means to absorb shock loads and provide door release
- Revised mounting provides easier installation and alignment
- Simple, easy to use, rotating knob/pin latch
- Engineered to withstand vibration, shock, dust, dirt and moisture
- Ergonomic knob design
- Two-stage lead in helps align the striker and receiver to compensate for door sag
- Universal design
- Durability in tough applications
- Easy to install
- Easily adaptable to a wide variety of door/cab configurations
- Fills a niche between the low cost "friction type" hold-opens and top end rotary and bayonet style products presently available



Global Locations:

TriMark Corporation
500 Bailey Avenue
P.O. Box 350
New Hampton, Iowa 50659
United States
Tel: 641-394-3188
Fax: 641-394-2392
1-800-447-0343
www.trimarkcorp.com

TriMark Europe
Cedar Court
Walker road
Bardon Hill
Coalville LE67 1TU
United Kingdom
Tel: +44(0)1530 512460
Fax: +44(0)1530 512461
www.trimarkeu.com

TriMark (Xuzhou)
Building A5 Jingwu Road
Xuzhou Economic
Development Zone
Xuzhou, Jiangsu
221004 PR China
Tel: +86 516 8773 0018
Fax: +86 516 8773 0058
www.trimarkcn.com



TriMark. Interactive. Product. Selector



TriMark



TriMark Corporation

MATERIAL:

- Engineered plastic withstands corrosion and UV exposure and has a lower coefficient of friction, reducing closing and operating efforts

INSTALLATION:

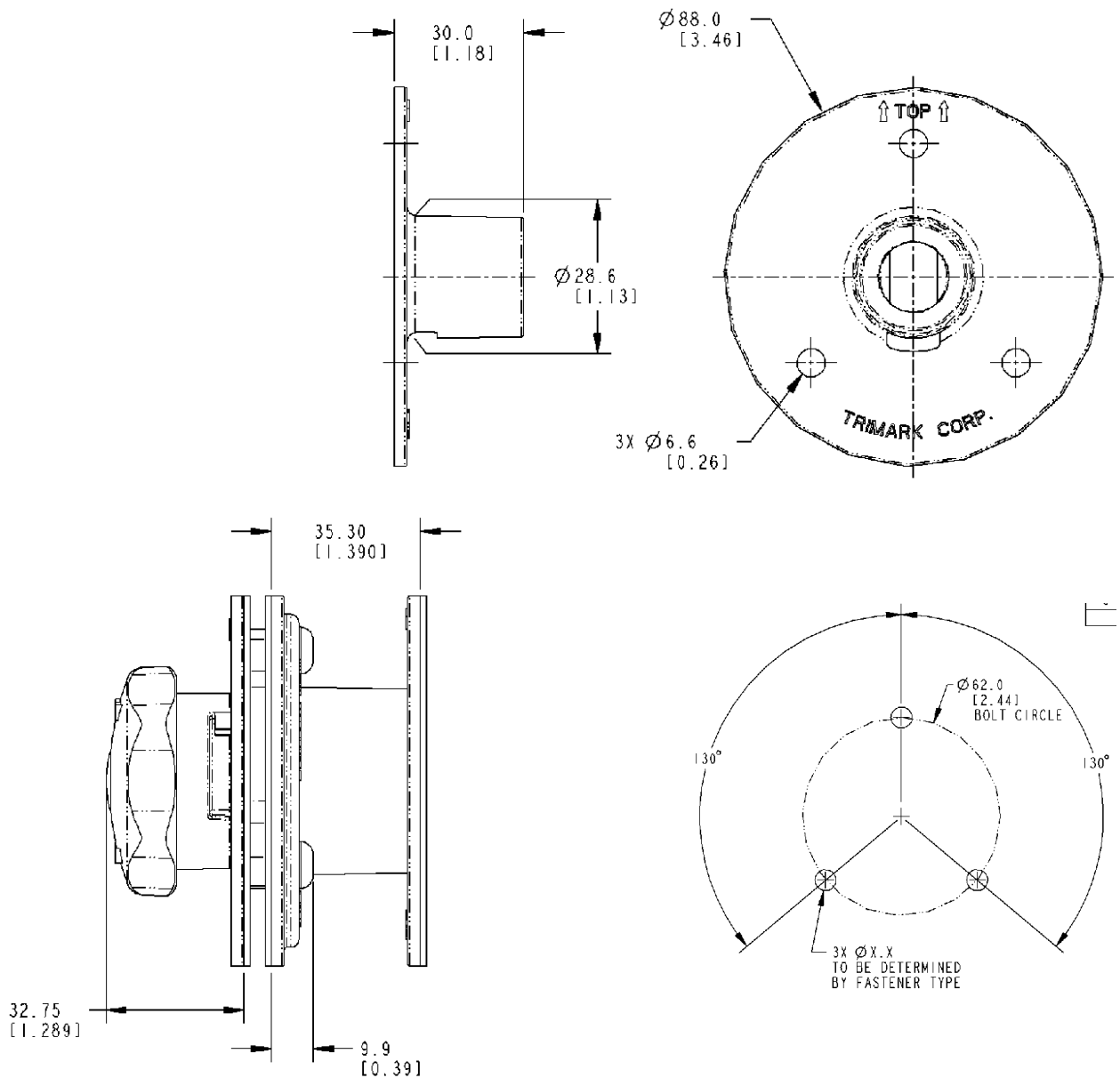
- Flange mounting and gasket (included)
- Easy to install with (3) M6 fasteners (not included)

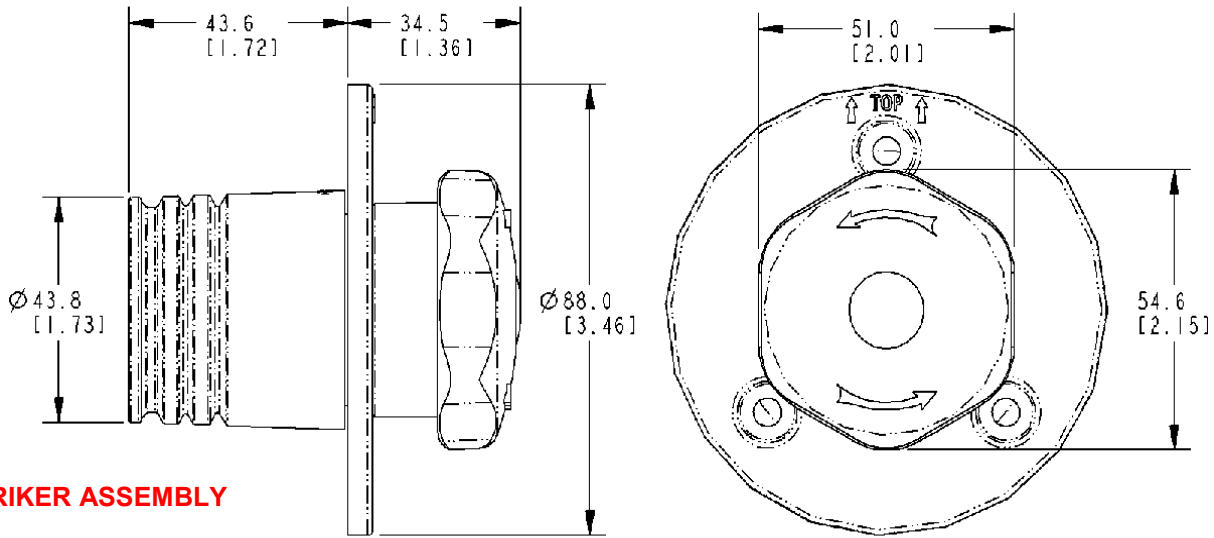
U.S. Patent No. 6,357,078

CAUTION: Door hold-open is not designed to secure a door in the closed position and does not comply with FMVSS 206 (ECE R11).

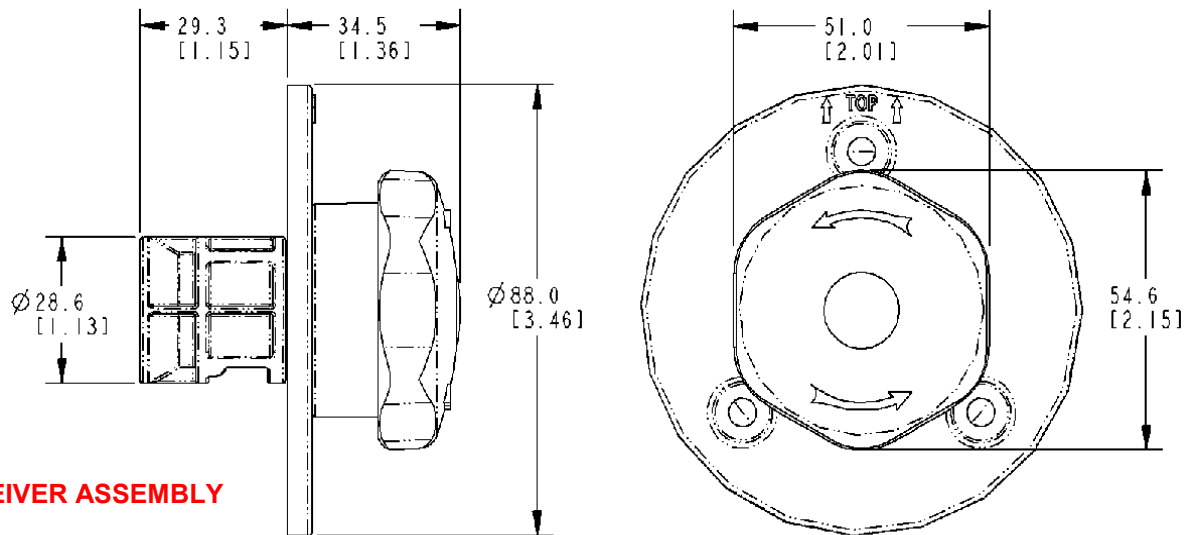
Individual part dimensions are for reference only. Refer to individual part drawings for complete dimensions, specifications, and installation procedures. Engineering assistance and application drawings are available.

For more information visit
www.trimarkcorp.com

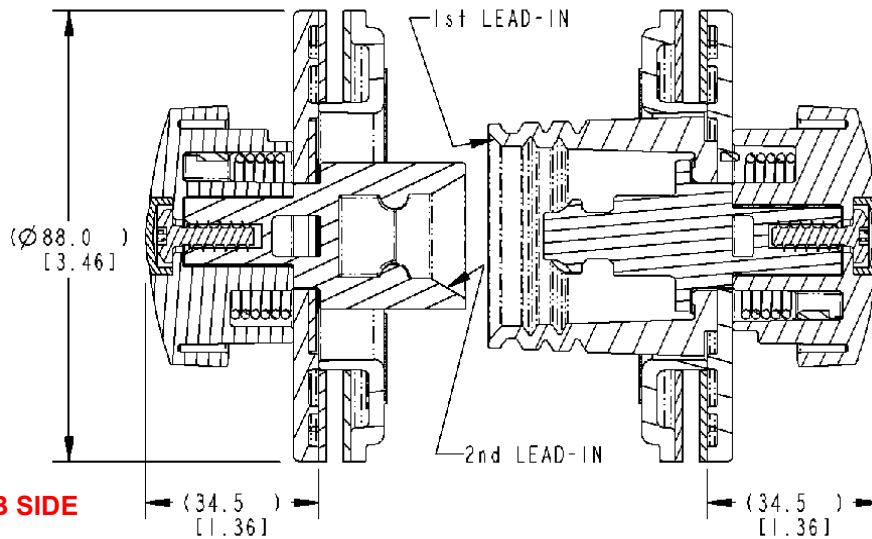




STRIKER ASSEMBLY



RECEIVER ASSEMBLY



RECEIVER / CAB SIDE

STRIKER / DOOR SIDE